

TL8R-2 COMPACT TRACK LOADER



Rated Operating Capacity • 960kg
Operating Weight • 4165 kg

TL8R-2 Compact Track Loader

Takeuchi introduced the world's first compact track loader in 1986, engineered from the tracks up as an innovative solution for soft ground conditions and viable alternative to wheeled loaders.

This proven high-performance range of compact track loaders is now available from Takeuchi UK delivering excellent travel performance, traction, productivity and attachment versatility on any site.

The TL8R-2 combines all the proven characteristics of Takeuchi Compact Equipment: smooth hydraulics, power performance, proven durability with maximum operator comfort and serviceability.

POWER PERFORMANCE

The TL8R-2 is designed with radial lift to deliver greater bucket breakout force, mid-reach for backfilling and excellent grading function.

With a powerful 54.6kW output and maximum torque the TL8R-2 is built for tough environments powered by the latest low emission engine with DOC/DPF.

Attachment ready the TL8R-2 comes with high-flow and creep mode as standard, ideal when using attachments that require a consistent, travel speed, such as a cold planer and mulcher. The reinforced arm cross member provides rigid strength when operating heavy-duty attachments.

The 14-pin connector with push button control allows for easy attachment changeover.

The TL8R-2 features a quiet ride track design, 2-speed travel with auto shift down and triple flange track rollers. The fully enclosed internal drive lines with no exposed hoses provide protection on rough terrain.



COMFORT AND CONTROL

The spacious pressurised cab with an automotive styled interior includes high back suspension seat, air-con climate control and cup holder for added all-day comfort.

The all-steel cab with front / rear LED work lights and a rear view camera provide added safety on-site.

Standard features include pilot operated joystick controls and a colour 5.7" multi-informational display.

A choice of foot throttle or dial throttle allows for ergonomic operation.



Excellent Foot Room



Lower Cross Member & Step



Rear View Camera



14-Pin Coupler

TL8R-2 STRENGTH IN DESIGN

ALL STEEL > HEAVY DUTY PROTECTION

In every part of the machine

UNRIVALLED > SERVICE ACCESS

All at ground level with swing out cooler frame and tilt-up cab

< MAXIMUM VISIBILITY

Rear view camera and lower cross members for safe on-site working

< TOTAL RELIABILITY

Precision engineering from Japanese craftsmanship - Built to last

< POWER PERFORMANCE

Delivers outstanding breakout force and lift capacity for a compact track loader



EASY SERVICE

The tilt-up cab delivers maximum access to the primary and secondary fuel filters, DPF, pilot filter, pump group, and control valve.

The heavy-duty rear door protects vital engine components and swings out to access the side-by-side cooling module and clustered service points.

The rear towers house additional easy access service points.



Easy Access Servicing



Swing Out Rear-Door



Rear Tower Access



Battery Access Panel

PRODUCT FEATURES

(see website for the complete features list)

SPACIOUS OPERATOR STATION



- 5.7" Multi-informational colour display
- Adjustable high back suspension seat
- Rear pivoting seat bar with integrated arm rest
- 3-point retractable seat belt
- A/C, heat, defrost
- Front wiper
- Rear view camera
- AM / FM radio / Bluetooth
- Pressurised cab with roll up door
- Tilt-up cab
- ROPS / FOPS structure
- FOPS level II roof guard kit

HIGH POWER ENGINE



- EU Stage V compliant
- Turbocharged
- High pressure common rail fuel injection system
- DOC+DPF exhaust after treatment
- Automatic fuel priming system
- Active power control system
- Working modes - Power and ECO
- Double element air cleaner
- Dial and foot throttle control
- High capacity radiator and hydraulic oil cooler mounted side-by-side on swing out frame

PRECISE CONTROLLED HYDRAULICS



- High lift radial arm design
- Hydraulic pilot controls
- Arm float
- Cushioned arm cylinders
- Hydraulic self leveling
- Proportional auxiliary controls with detent
- Flat faced coupler body and pressure relieving system
- 14-pin connector with push button
- High capacity steel hydraulic tank
- Hydraulic quick hitch
- Primary flow - aux circuit 72.3 l/min
- High flow - aux circuit 128 l/min

ERGONOMIC ELECTRICAL CONTROL



- LED work lights: two front / two rear
- Sealed rocker switches
- 12V system with 60A alternator
- Heavy duty, easy access battery
- Engine preheat
- Hour meter
- Reverse alarm
- Horn

ROBUST TRACK FRAME



- 400mm quiet ride track design
- Double reduction planetary drives
- Permanently sealed track rollers with metal face seals
- Fully welded frame with integrated cross members
- 2-speed travel with automatic shift down
- Grease type track adjuster
- Front and rear tie-down points
- Rear bumper integrated into frame
- Creep mode
- Switch activated parking brake

TAKEUCHI FLEET MANAGEMENT



TFM is a remote **TELEMATICS** system, using real time data to better manage your fleet and lower overall operating costs.

- FREE 5 year standard service
- Downtime prevention
- Remote diagnostics
- Utilisation tracking
- Proactive maintenance
- Control costs



FREE 5-YEAR
TAKEUCHI FLEET
MANAGEMENT



3-YEAR
3,000 HOUR

WARRANTY AS STANDARD*



POWER, PERFORMANCE, PEACE OF MIND

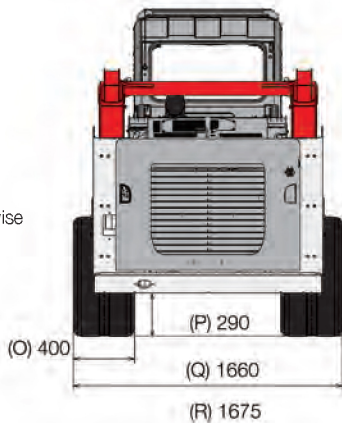
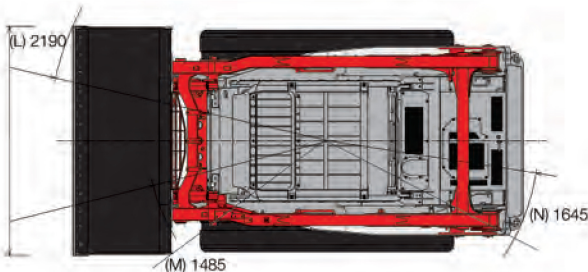
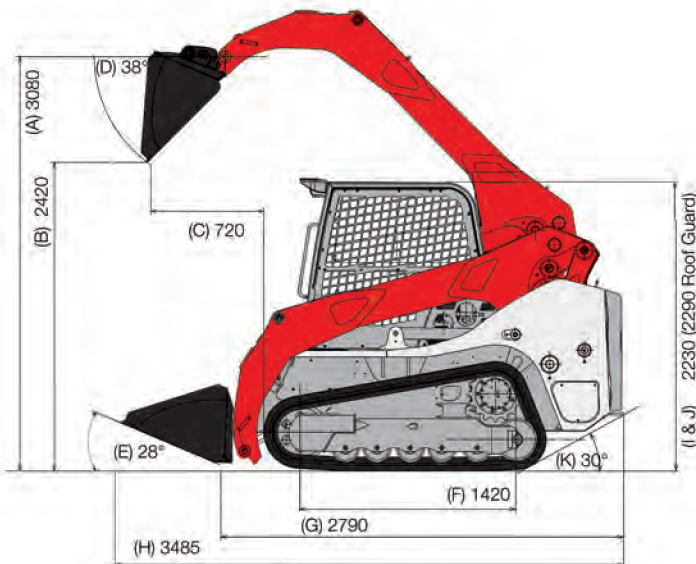
TL8R-2 COMPACT TRACK LOADER



TAKEUCHI COMPACT TRACK LOADERS - VERSATILE & ATTACHMENT READY

- AUGERS
- BRUSH CUTTERS
- GRADERS
- MULCHERS
- PALLET FORKS
- RAKES
- RIPPER
- ROAD PLANER
- SWEEPERS
- STUMP GRINDER
- TRENCHERS
- 4 in 1 BUCKETS

TL8R-2 COMPACT TRACK LOADER



All dimensions unless otherwise stated are in millimetres.

**FULL
3-YEAR
3,000 HOUR*
WARRANTY**

Takeuchi machines come with a full 3 year/3000 hours warranty as standard, terms and conditions apply* see website.

Before fitment of a hydraulic attachment, machine auxiliary pressure and flow should be accurately measured. For all lifting specifications please refer to the lift charts on the Takeuchi website or operator manual.

In accordance with our established policy of constant improvement, we reserve the right to amend these specifications at any time without notice. Photographs shown may feature non-standard equipment.

TL8R-2

Standard UK Specification: Cab / Radial Lift / Rubber Track

Engine	
Make	Kubota
Model	V3307
Engine Displacement (cc)	3331
Rated Output (kW) / rpm	54.6 / 2600
Maximum Torque (Nm)	261.1
Fluid Capacities	
Engine Lubrication (l)	11.2
Cooling System (l)	15
Fuel Tank Capacity (l)	107
Hydraulic Reservoir Capacity (l)	36.5
Hydraulic System Capacity (l)	64
Operating Performance	
Operating Weight - Cab (kg)	4165
Tipping Load (kg)	2740
Rated Operating Capacity (ISO 14387-1) @ 35%* (kg)	960
Operating Load @ 50% of Tip Load (kg)	1370
Bucket Breakout Force (kN)	27.6
Lift Arm Breakout Force (kN)	26.5
Traction Force (kN)	43.3
Ground Pressure Cab (kPa)	32
Travel Speed Low / High (km/h)	7.5 / 11.2
Creep Mode Speed Low / High (km/h)	0.15 / 5
Hydraulic System	
Primary Flow - auxiliary circuit (l/min)	72.3
High Flow - auxiliary circuit (l/min)	128
Hydraulic System Pressure (MPa)	21
Machine Dimensions	
A Max. Lift Height to Bucket Pin (mm)	3080
B Dump Height Fully Raised (mm)	2420
C Dump Reach Fully Raised (mm)	720
D Dump Angle	38°
E Rollback Angle	28°
F Track Ground Contact Length (mm)	1420
G Machine Length (mm)	2790
H Transport Length (mm)	3485
I Transport Height (mm)	2230
J Transport Height with Roof Guard (mm)	2290
K Departure Angle	30°
L Clearance Circle with Bucket (mm)	2190
M Clearance Circle without Bucket (mm)	1485
N Clearance Circle Rear (mm)	1645
O Track Width (mm)	400
P Ground Clearance (mm)	290
Q Overall Width without Bucket (mm)	1660
R Overall Width with Bucket (mm)	1675
Health & Safety	
Noise / Sound Power Level (LWA)	103dB
Vibration Hand - Arm / Body m/sec ²	<2.5 / <0.5

*Rated Operating Capacity of track loaders is rated according to ISO 14397-1 at no more than 35% of the tipping load.

08/2025

For more information locally contact:



SCAN ME

To find your local dealer

Takeuchi Mfg (UK) Ltd, Unit E2B Kingsway Business Park, John Boyd Dunlop Drive, Rochdale, Lancashire OL16 4NG
info@takeuchi-mfg.co.uk www.takeuchi-mfg.co.uk

@TakeuchiUK

TAKEUCHI
From World First to World Leader