

TL6R COMPACT TRACK LOADER



Rated Operating Capacity • 835kg
Operating Weight • 3530kg

TL6R Compact Track Loader

Takeuchi introduced the world's first compact track loader in 1986, engineered from the tracks up as an innovative solution for soft ground conditions and viable alternative to wheeled loaders.

This proven high-performance range of compact track loaders is now available from Takeuchi UK delivering excellent travel performance, traction, productivity and attachment versatility on any site.

The TL6R combines all the proven characteristics of Takeuchi Compact Equipment: smooth hydraulics, power performance, proven durability with maximum operator comfort and serviceability.



COMFORT AND CONTROL

The TL6R features a spacious wide operator station with a colour multi-information display, rear view camera and convenient rocker switches to control a wide range of functions.

The dial and foot throttle combined with pilot controls deliver smooth precision operating for long hours on the job site.

Safety of operators is integral to design with all-steel cab, safe entry and exit points including a swing-out door, full ROPS /TOPS design and LED lights on the front and rear of the machine.

A strong purpose-built undercarriage is engineered for tough terrain, with quiet-ride track design to reduce vibration and noise.

POWER PERFORMANCE

The radial lift design delivers a bucket breakout force of 26.4kN combined with traction force of over 38.5kN giving it plenty of power to excavate, grade, and manoeuvre on the job site. The reinforced arm cross member provides rigid strength when operating heavy-duty attachments.

The TL6R provides an excellent blend of power and performance featuring a low emission compliant 47.9kW engine.

The radial lift design delivers a bucket breakout force of 26.4kN combined with traction force of over 38.5kN giving it plenty of power to excavate, grade, and manoeuvre on the job site. The reinforced arm cross member provides rigid strength when operating heavy-duty attachments.

Superb ground clearance with double planetary drive motors, and no exposed hoses provide protection on rough terrain.



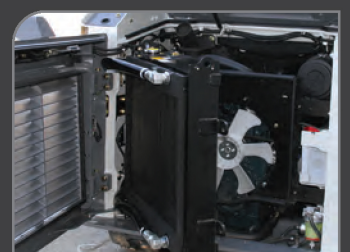
Fully Welded Frame



Double Reduction Drives



Active Power Control



Cooling Module

TL6R STRENGTH IN DESIGN

POWER PERFORMANCE

Delivers outstanding breakout force and lift capacity for a compact track loader

TOTAL RELIABILITY

Precision engineering from Japanese craftsmanship – Built to last

MAXIMUM VISIBILITY

Rear view camera and lower cross members for safe on-site working

ALL STEEL HEAVY DUTY PROTECTION

In every part of the machine

UNRIVALLED SERVICE ACCESS

All at ground level with swing out cooler frame and tilt-up cab



EASY SERVICE

The tilt-up cab delivers maximum access to the primary and secondary fuel filters, DPF, pilot filter, pump group, and control valve.

The heavy-duty rear door protects vital engine components and swings out to access the side-by-side cooling module and clustered service points.

The rear towers house additional easy access service points.



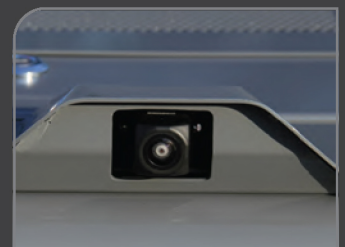
Multi-Information Display



Pilot Operated Controls



Cab with Swing Out Door



Rear View Camera

PRODUCT FEATURES

(see website for the complete features list)

SPACIOUS OPERATOR STATION



- 5.7" multi-informational colour display
- Adjustable suspension seat
- Rear pivoting seat bar with integrated arm rests
- 3-point retractable seat belt
- AC, heat, defrost
- Front wiper
- Rear view camera
- AM / FM radio / Bluetooth
- Pressurised cab with swing out door
- Tilt-up cab
- ROPS/FOPS structure

HIGH POWER ENGINE



- EU Stage V compliant
- Turbocharged
- DOC+DPF exhaust after treatment
- Active power control system
- Working modes - Power and ECO
- Automatic fuel bleed system
- High capacity radiator and hydraulic oil cooler mounted side-by-side on swing out frame
- Double element air cleaner
- Dial & foot throttle control

PRECISE CONTROLLED HYDRAULICS



- High-lift radial arm design
- Cushioned arm cylinders
- Arm float
- Hydraulic pilot controls
- Proportional auxiliary controls with detent
- Flat faced coupler body and pressure relieving system
- 14-pin connector with push button control
- Hydraulic self leveling
- Hydraulic quick hitch
- Primary flow - aux circuit 67 l/min

ERGONOMIC ELECTRICAL CONTROL



- LED work light: front and rear
- Sealed rocker switches
- 12V system with 60A alternator
- Engine preheat
- Hour meter
- Reverse alarm
- Horn
- Heavy duty, easy access battery

ROBUST TRACK FRAME



- 320mm quiet-ride track design
- Double reduction planetary drives
- Permanently sealed track rollers with metal face seals
- Double and triple flange track rollers
- Fully welded frame with integrated cross members
- Front and rear tie-down and lift points
- Integrated rear bumper
- 2-speed travel with auto-shift
- Grease type track adjuster
- Switch activated parking brake

TAKEUCHI FLEET MANAGEMENT



TFM is a remote **TELEMATICS** system, using real time data to better manage your fleet and lower overall operating costs.

- FREE 5 Year standard service
- Downtime prevention
- Remote diagnostics
- Utilisation tracking
- Proactive maintenance
- Control costs



FREE 5-YEAR
TAKEUCHI FLEET
MANAGEMENT



3-YEAR
3,000 HOUR

WARRANTY AS STANDARD*



POWER, PERFORMANCE, PEACE OF MIND

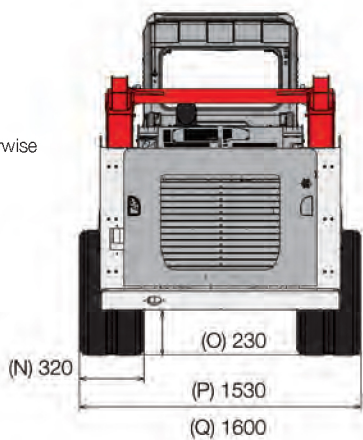
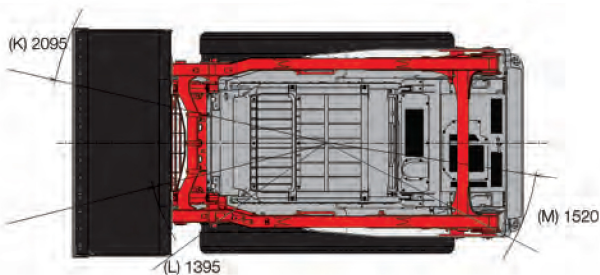
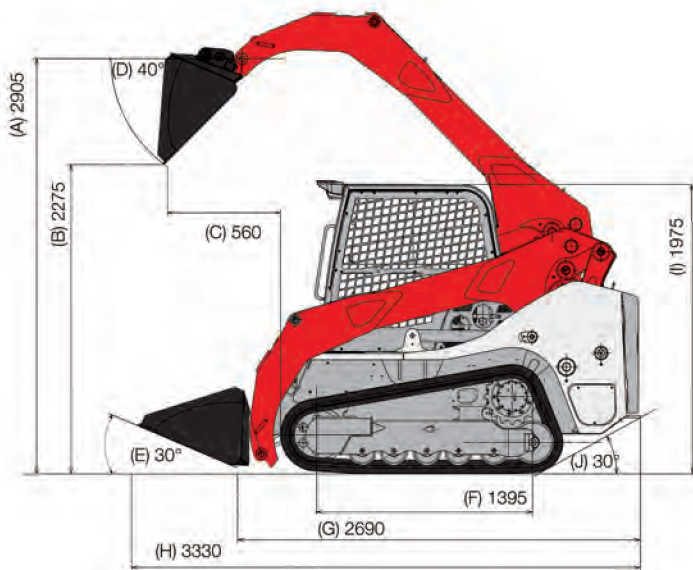
TL6R COMPACT TRACK LOADER



TAKEUCHI COMPACT TRACK LOADERS - VERSATILE & ATTACHMENT READY

- AUGERS
- BRUSH CUTTERS
- GRADERS
- MULCHERS
- PALLET FORKS
- RAKES
- RIPPER
- ROAD PLANER
- SWEEPERS
- STUMP GRINDER
- TRENCHERS
- 4 in 1 BUCKETS

TL6R COMPACT TRACK LOADER



All dimensions unless otherwise stated are in millimetres.

**FULL
3-YEAR
3,000 HOUR*
WARRANTY**

Takeuchi machines come with a full 3 year/3000 hours warranty as standard, terms and conditions apply* see website.

Before fitment of a hydraulic attachment, machine auxiliary pressure and flow should be accurately measured. For all lifting specifications please refer to the lift charts on the Takeuchi website or operator manual.

In accordance with our established policy of constant improvement, we reserve the right to amend these specifications at any time without notice. Photographs shown may feature non-standard equipment.

TL6R

Standard UK Specification: Cab / Radial Lift / Rubber Track

Engine	
Make	KUBOTA
Model	V2403
Engine Displacement (cc)	2434
Rated Output (kW) / rpm	47.9 / 2700
Maximum Torque (Nm)	195.6

Fluid Capacities	
Engine Lubrication (l)	7.6
Cooling System (l)	13
Fuel Tank Capacity (l)	75.7
Hydraulic Reservoir Capacity (l)	30
Hydraulic System Capacity (l)	51

Operating Performance	
Operating Weight - Cab (kg)	3530
Tipping Load (kg)	2390
Rated Operating Capacity (ISO 14397-1) @ 35%* (kg)	835
Operating Load @ 50% of Tip Load (kg)	1195
Bucket Breakout Force (kN)	26.4
Lift Arm Breakout Force (kN)	21.6
Traction Force (kN)	38.5
Ground Pressure Cab (kPa)	34.8
Travel Speed Low / High (km/h)	7.0 / 10.0

Hydraulic System	
Primary Flow - Auxiliary Circuit (l/min)	67
Hydraulic System Pressure (Mpa)	20.6

Machine Dimensions		
A	Max. Lift Height to Bucket Pin (mm)	2905
B	Dump Height Fully Raised (mm)	2275
C	Dump Reach Fully Raised (mm)	560
D	Dump Angle	40°
E	Rollback Angle	30°
F	Track Ground Contact Length (mm)	1395
G	Machine Length (mm)	2690
H	Transport Length (mm)	3330
I	Transport Height (mm)	1975
J	Departure Angle	30°
K	Clearance Circle with Bucket (mm)	2095
L	Clearance Circle without Bucket (mm)	1395
M	Clearance Circle Rear (mm)	1520
N	Track Width (mm)	320
O	Ground Clearance (mm)	230
P	Overall Width without Bucket (mm)	1530
Q	Overall Width with Bucket (mm)	1600

Health & Safety	
Noise / Sound Power Level (LWA)	103dB
Vibration Hand - Arm / Body m/sec ²	<2.5 / <0.5

*Rated Operating Capacity of track loaders is rated according to ISO 14397-1 at no more than 35% of the tipping load.

08/2025

For more information locally contact:



SCAN ME

To find your local dealer

Takeuchi Mfg (UK) Ltd, Unit E2B Kingsway Business Park, John Boyd Dunlop Drive, Rochdale, Lancashire OL16 4NG
info@takeuchi-mfg.co.uk www.takeuchi-mfg.co.uk

@TakeuchiUK



TAKEUCHI
From World First to World Leader