

| TB138FR TB153FR TB280FR |



# ZERO SWING EXCAVATORS

**TAKEUCHI**  
Japanese for reliability

# Takeuchi's FR - Zero Swing - operates in the tightest spaces

Takeuchi's FR excavators combine zero swing at both the front and the rear with an offset boom providing far more flexibility than conventional machines.

Operators can simply move the offset boom for improved digging positions without having to re-position the machine, critical where operators are working in restricted site conditions.

### OPERATOR COMFORT

Roomy operator cab with well positioned controls. Adjustable suspension seat and arm rests provides all day comfort for operators.



### SERVICE

Tilt-up operator platform and full width engine hood provides excellent service access.

Ground level access to panels allow quick and easy maintenance servicing.





## OPERATION

A two-speed travel switch is conveniently located on the right hand travel lever to track speed automatically.

Adjusts from high to low speed, when ground conditions call for additional traction power.

Short pitch rubber crawlers provide vibration free travel, even on the roughest ground.

One touch engine decelerator installed on the right hand joystick, reduced fuel consumption when the excavator is temporarily idled.

Excellent travel and slew speed shortens operation cycle time.

Auxiliary hydraulic attachments are controlled by the slider switch on the joystick.

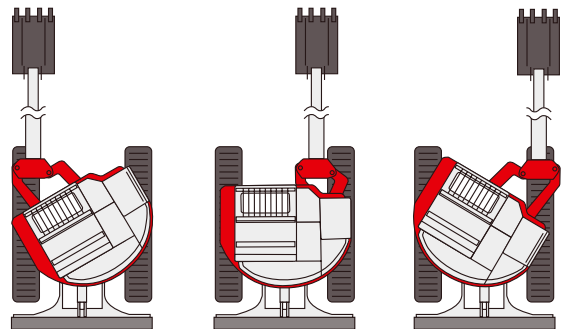


## TAKEUCHI FR EXCAVATORS COMBINE NEAR ZERO TAIL SWING WITH AN OFFSET BOOM TO PROVIDE FAR MORE VERSATILITY ON SITE THAN CONVENTIONAL EXCAVATORS



### ADJUSTABLE OFFSET BOOM

The upper structure and cab only exceeds the track footprint by centimetres, allowing operators to work and rotate right up to walls without potentially damaging the machine. A floor mounted pedal allows you to position the offset anywhere across the front of the machine to run simultaneously with boom and bucket functions.



The FR range of Takeuchi zero swing machines provide a popular alternative to conventional fixed boom excavating.

Combining zero swing with an offset boom gives unmatched operator benefits especially where access and working spaces is restricted. The FR range works best in tight corners, close to walls or in narrow operating spaces.

The compact design combats typical site obstructions by slewing within it's track footprint. Powerful operating performance in a compact machine size.

Takeuchi now offer a short tail or zero swing in every weight class from 1.5 tonne up to 8.5 tonnes.

**With a reputation for reliability, Japanese build quality makes all the difference.**



# NEW TB280FR

## Compact 8.5 tonne



**NEW STYLED CAB**

With a new large enclosed ROPS/ FOPS cab the TB280FR offers maximum comfort and visibility. Operators benefit from enhanced visual display unit and comfortable adjustable suspension seat with head rest. Standard features include: heater, defrost, air con, retractable front window, large skylight with sun shade and removable lower window section.



**ULTIMATE CONTROL**

Colour LCD well positioned for operators - operators can select work modes.



**MAXIMUM ENGINE PERFORMANCE**

TB280FR features a new stage 3B compliant engine.



**COMPACT RADIUS**

Operates with just cms beyond the track width.



# ZERO TAIL SWING EXCAVATORS

## TB138FR

Standard UK Specification  
Long Arm/Rubber Tracks Dimensions Rubber/Steel

Engine	
Make	Yanmar
Model	3TNV88-BPTBZ
Rated Output kW/rpm	22.0/2400
Maximum Torque (Nm)	107.1
Cylinders	3
Displacement (cc)	1642
Electrical System	12v 64a

Dimensions & Weight	
Operating weight (bucket & fuel) kg	3880
Length (Transporting) (mm)	4770
Machine Width (mm)	1740
Height (mm)	2555
Ground Clearance (mm)	295
Front Swing Radius (mm)	1325
Slew Radius (mm)	955
Dozer Blade (W x H) (mm)	1740x395

Operating Information	
Max Digging Depth (mm)	3420
Max Dump Height (mm)	3795
Max Reach at Ground Level (mm)	5425
Max Vertical Dig Depth (mm)	2635
Max Bucket Digging Force (kN)	26.5
Max Arm Digging Force (kN)	15

Hydraulic System	
Set Pressure (bar)	210
Pump Type	2xVariable+ 2xGear
Hydraulic Pump Flow Aux port (l/min)	61.7

Swing System	
Boom Swing Angle ( L/R)	30°/15°
Slew Speed (rpm)	9.8
Slew Motor	Axial Piston
Slew Brake	Wet Friction Plate

Undercarriage	
Traction Motor	Axial Piston
Traction Drive	Planetary
Traction Brake	Disc
Track Width (mm)	350
Ground Contact Length (mm)	1655
Ground Pressure (kpa)	30.5
Travel Speed (k/ph)	2.5/4.9
Maximum Gradeability	30°

Capacities	
Hydraulic System (l)	68
Fuel Tank (l)	40
Engine Lubrication (l)	4.7
Cooling System (l)	6

**OPTIONS:** Steel tracks, TKB102-S hydraulic breaker, hydraulic quick hitch.

## TB153FR

Standard UK Specification  
Long Arm/Rubber Tracks Dimensions Rubber/Steel

Engine	
Make	Yanmar
Model	4TNV88-BPTBZ
Rated Output kW/rpm	29.5/2400
Maximum Torque (Nm)	143.4
Cylinders	4
Displacement (cc)	2189
Electrical System	12v 72a

Dimensions & Weight	
Operating weight (bucket & fuel) kg	5660
Length (Transporting) (mm)	5350
Machine Width (mm)	2000
Height (mm)	2570
Ground Clearance (mm)	300
Front Swing Radius (mm)	1400
Slew Radius (mm)	1110
Dozer Blade (W x H) (mm)	2000x430

Operating Information	
Max Digging Depth (mm)	3900
Max Dump Height (mm)	3885
Max Reach at Ground Level (mm)	6095
Max Vertical Dig Depth (mm)	3030
Max Bucket Digging Force (kN)	36.3
Max Arm Digging Force (kN)	22.2

Hydraulic System	
Set Pressure (bar)	210
Pump Type	2xVariable+ 2xGear
Hydraulic Pump Flow Aux port (l/min)	58.3

Swing System	
Boom Swing Angle ( L/R)	30°/15°
Slew Speed (rpm)	9.9
Slew Motor	Axial Piston
Slew Brake	Wet Friction Plate

Undercarriage	
Traction Motor	Axial Piston
Traction Drive	Planetary
Traction Brake	Disc
Track Width (mm)	400
Ground Contact Length (mm)	1985
Ground Pressure (kpa)	32.6
Travel Speed (k/ph)	2.7/5.1
Maximum Gradeability	30°

Capacities	
Hydraulic System (l)	110
Fuel Tank (l)	65
Engine Lubrication (l)	7.4
Cooling System (l)	8.8

**OPTIONS:** Steel tracks, TKB302-S hydraulic breaker, hydraulic quick hitch.

## TB280FR

Standard UK Specification  
Long Arm/Rubber Tracks Dimensions Rubber/Steel

Engine	
Make	Yanmar
Model	4TNV98CT-WTBZ
Rated Output kW/rpm	51.6/2400
Maximum Torque (Nm)	283-308
Cylinders	4
Displacement (cc)	3318
Electrical System	12v 90a

Dimensions & Weight	
Operating weight (bucket & fuel) kg	8486
Length (Transporting) (mm)	6850
Machine Width (mm)	2300
Height (mm)	2725/2735
Ground Clearance (mm)	315/320
Front Swing Radius (mm)	1610
Slew Radius (mm)	1280
Dozer Blade (W x H) (mm)	2300x500

Operating Information	
Max Digging Depth (mm)	4540
Max Dump Height (mm)	4480
Max Reach at Ground Level (mm)	7045
Max Vertical Dig Depth (mm)	3495
Max Bucket Digging Force (kN)	46.7
Max Arm Digging Force (kN)	31.3

Hydraulic System	
Set Pressure (bar)	280
Pump Type	2xVariable+ 2xGear
Hydraulic Pump Flow Aux port (l/min)	146

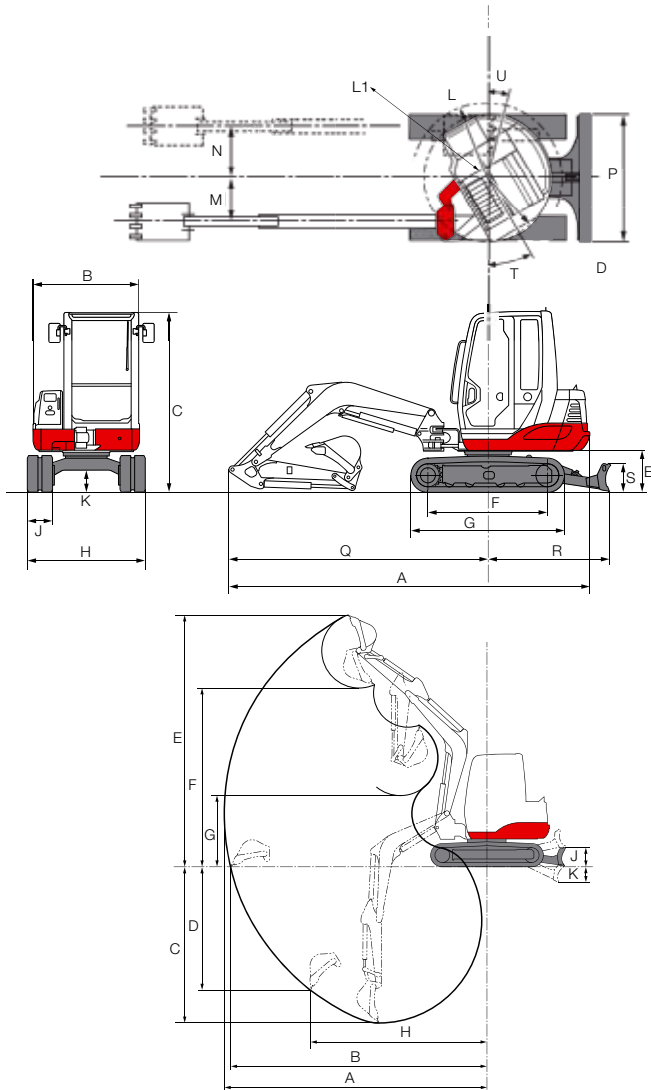
Swing System	
Boom Swing Angle ( L/R)	30°/15°
Slew Speed (rpm)	10
Slew Motor	Axial Piston
Slew Brake	Wet Friction Plate

Undercarriage	
Traction Motor	Axial Piston
Traction Drive	Planetary
Traction Brake	Disc
Track Width (mm)	450
Ground Contact Length (mm)	2210
Ground Pressure (kpa)	38.1
Travel Speed (k/ph)	2.7/5.2
Maximum Gradeability	30°

Capacities	
Hydraulic System (l)	120
Fuel Tank (l)	100
Engine Lubrication (l)	9.4
Cooling System (l)	14

**OPTIONS:** Steel tracks, TKB302-S & TKB402-S hydraulic breaker, hydraulic quick hitch.

# TB138FR TB153FR TB280FR



## Dimensions

Items	TB138FR	TB153FR	TB280FR	
A	Length (mm)	4770	5350	6850
B	Cab Width (mm)	1640	1860	2170
C	Height (mm)	2555	2570	2725
D	Slew Radius (mm)	955	1110	1280
E	Turntable Height (mm)	605	615	715
F	Crawler Base (mm)	1655	1985	2210
G	Track length (mm)	2110	2500	2855
H	Machine Width (mm)	1740	2000	2300
J	Track Width (mm)	350	400	450
K	Ground Clearance (mm)	295	300	315
L	Front Swing Radius (mm)	1325	1400	1610
L1	Radius with Attachment (mm)			2880
M	Offset Left (mm)	700	720	805
N	Offset Right (mm)	730	825	945
P	Dozer Width (mm)	1740	2000	2300
Q	Front Distance to Axis of Rotation (mm)	3715	4105	4795
R	Centrepoint to Blade (mm)	1415	1510	2055
S	Dozer Blade Height (mm)	395	430	500
T	Offset Swing Angle LH	30°	30°	30°
U	Offset Swing Angle RH	15°	15°	15°

## Operating Range

Items	TB138FR	TB153FR	TB280FR	
A	Max. Digging Radius (mm)	5550	6195	7195
B	Max. Ground Reach (mm)	5425	6095	7045
C	Max. Digging Depth (mm)	3420	3900	4540
D	Max. Vertical Digging Depth (mm)	2635	3030	3495
E	Max. Digging Height (mm)	5220	5490	6465
F	Max. Dumping Height (mm)	3795	3885	4480
G	Min. Dumping Height (mm)	1120	1125	1405
H	Max. Vertical Digging Radius (mm)	3730	4075	4795
J	Max. Blade Raising Height (mm)	355	320	525
K	Max. Lowering Depth (mm)	290	325	490

**For more information locally**

call us direct, or contact:



1/2016

Takeuchi machines come with a 2 year/2000 hours warranty as standard. Warranty exceptions to 1 year; fuel injection systems, electrical components, paint work.

In accordance with our established policy of constant improvement, we reserve the right to amend these specifications at any time without notice. Photographs shown may feature non-standard equipment.

Takeuchi Mfg (UK) Ltd, Unit E2B Kingsway Business Park,  
John Boyd Dunlop Drive, Rochdale, Lancashire OL16 4NG  
Tel: 01706 657 722 Fax: 01706 657 744

Southern Depot at 20 Colthrop Business Park  
Colthrop Lane, Thatcham, Newbury, Berks RG19 4NB  
Tel: 01635 877 196 Fax: 01635 877 195

[www.takeuchi-mfg.co.uk](http://www.takeuchi-mfg.co.uk) Email: [sales@takeuchi-mfg.co.uk](mailto:sales@takeuchi-mfg.co.uk)

**TAKEUCHI**  
Japanese for reliability